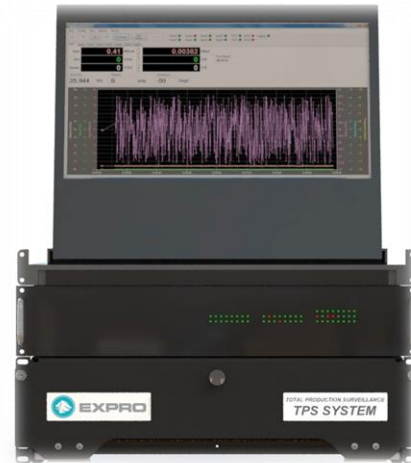


Multiwell TPS Processing Module (MTPM) for multiphase flows

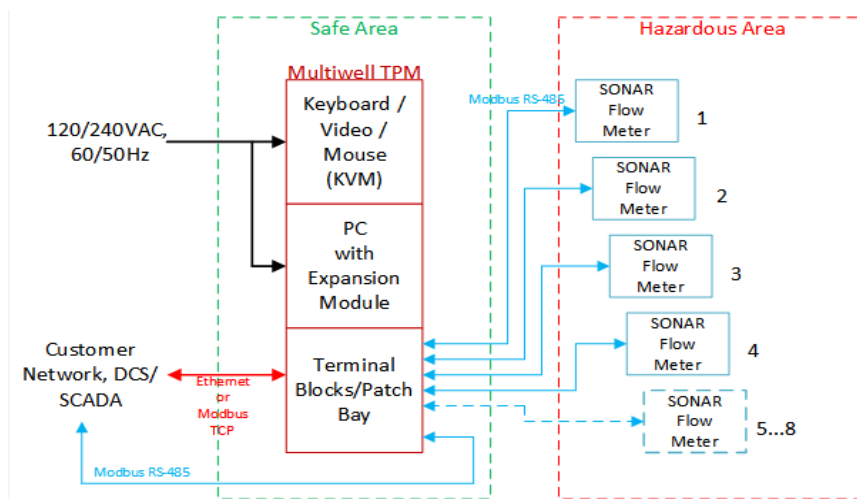
The Multiwell TPS Processing Module (MTPM) is a field-deployable platform providing gas, oil/condensate and water rates for one to eight wells, based on sonar flow meter, line pressure and line temperature measurements, combined with customer-supplied compositional/PVT and watercut/WGR information.

The MTPM interfaces to ActiveSONAR™ and PassiveSONAR™ flow meters, and acquires pressure and temperature readings via Modbus or 4-20mA inputs.

In addition, all measured values and calculated results are logged to the internal solid state disk and can be retrieved using a USB flash drive.



Typical system configuration



Features and benefits

- Real-time reporting of up to eight wells
- Interfaces with ActiveSONAR™ or PassiveSONAR™ flow meters
- Industry standard communications protocols

Applications

- Production surveillance
- Production optimisation
- Platform monitoring
- Suitable for: wet gas; gas condensate wells; black oil wells

Technical specifications

Parameter	Specifications	Comments
Number of wells/meters	One to eight wells/meters	
Customer interface	Modbus Ethernet TCP or Modbus RS-485 Serial	MTPM can be Modbus Master or Slave
Pressure/temperature inputs	Up to eight pressure/eight temperature supplied via customer interface	
Multiphase processing computer	Intel i7-2610UE Processor, 4GB SDRAM, 128GB SSD, Fanless	
Display	19" colour TFT LCD, 1366x768	
Keyboard	Standard layout with touchpad	
Operating system	Windows Embedded 7	
Supported software	TPS1800 Multiphase Processing Software	
Operating temperature	0°C to +40°C	
Storage temperature	-15°C to +60°C	
Humidity	0% to 80% RH, non-condensing	
Power requirements	100-240VAC, 60/50Hz 60 watts max	
Dimensions (h x w x d)		
Computer	90 mm x 440 mm x 315 mm (3.54" x 17.32" x 12.40")	
Keyboard/display	43.18mm x 482.6mm x 711.2mm (1.7" x 19.0" x 28.0")	
Wiring panel	133.4mm x 481.8mm x 252.1mm (5.25" x 19.0" x 9.9")	
Mounting	19" rack mount, 6U total height minimum, 30" depth	
Weight	27.7 kg (61.1 lb)	
Certifications (safety, EMC)	CE, US, Canada	
Modbus RS-485 serial ports		
RS-485 port type	2-wire, half-duplex	
Modbus type	Master or Slave	
Max Baud rate	921.6 kbps	
Format	RTU (default) or ASCII	
Connector	Pluggable screw terminal block	
Modbus TCP Ethernet ports		
Port type	TCP (10/100 Ethernet)	
Modbus type	Master or Slave	
Format	RTU	
Connector	RJ45	