

PowerChokes®

Model SCD 20,000 PSI Choke

The Model SCD is a forged body, 20,000 PSI choke for severe service, available as an Adjustable or a Positive model.

Features:

Adjustable Choke

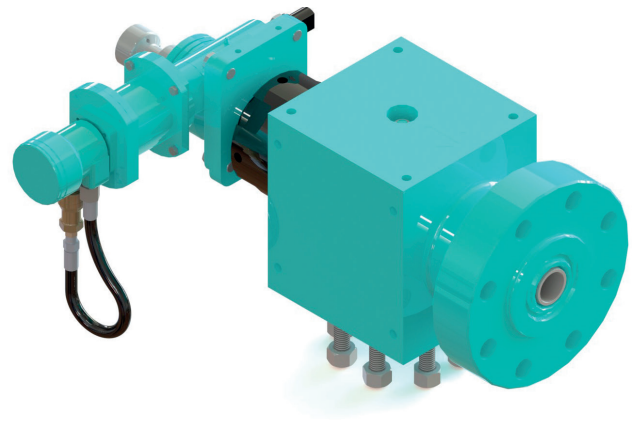
- Worm gear drive actuator – eliminates backlash and provides precise control; self-locking to prevent movement even if hydraulic pressure is lost
- Quick change actuator – no need to disconnect hoses for removal. Trim can be changed in 15 minutes or less without removing the choke from the line or breaking into the manifold
- Accommodates 1½" or 2" trim size
- Manual override capability - provided on all worm gear-operated hydraulic chokes in case of power loss
- Other types of actuator available – in addition to the exclusive modified worm gear actuator, our chokes available with hydraulic piston, electric or manual actuators
- Reversible gate and seat assembly – provides a minimum of two uses per piece, saving parts, reducing operating costs and maximising efficiency. Can be reversed in the field
- Solid tungsten carbide gate and seat – proven design provides maximum erosion resistance. Gate and seat are precision-ground to provide drop tight shut off

Positive Choke (except Model SCC)

- Quick change bean – bonnet easily removable. Service tools available to remove bean and bean carrier quickly for inspection or replacement
- Numerous bean sizes – accepts 1" (64/64ths) maximum orifice H2-style or OCT-style bean, or a 2" solid tungsten carbide bean seat (128/64)

All Chokes

- Pressure balanced trim – reduces operating forces, whether the choke is operated manually or automatically. Large balance ports provide protection against clogging
- Downstream wear sleeve and retainer ring – extended-length solid tungsten carbide seat provides wear protection downstream and a smooth transition for fluid into the downstream piping
- Large buffer cavity – slows velocity and distributes impact of solids, maximising trim life



Model SCD Choke with actuator

Actuator Manipulator Option

- Allows one-man, in-line servicing of chokes
- No lifting device required
- 15-minute service time

Control Consoles

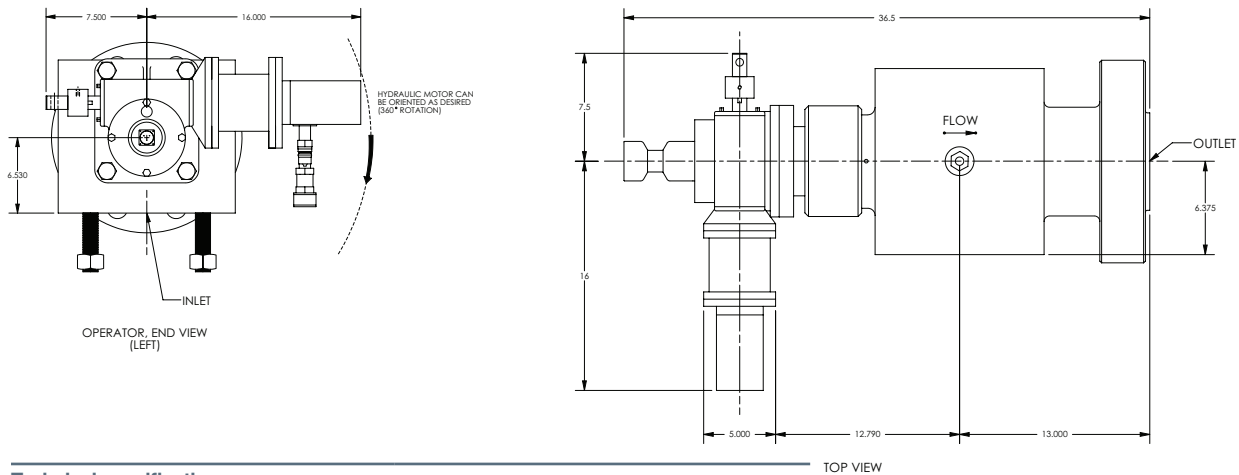
- Offer operation for one, two or more chokes and / or hydraulic control valves
- Speed adjusts to allow fast or slow choke movement
- One or two hydraulic pumps plus manual backup hydraulic pump
- Bourdon tube hydraulic pressure gauges or digital pressures gauges available
- Digital position indicator gauge standard
- Accumulators available for power backup or to smooth choke operation

Both Adjustable and Positive Chokes supplied with:

- Bleeder port to bleed pressure from choke body prior to choke bonnet removal for inspection or maintenance
- Studded inlet X flanged outlet standard. Flanged inlets available
- 2⁹/₁₆" X 3¹/₁₆" outlet standard for use in API 20M service
- Other inlet and outlet sizes available

PowerChokes®

Model SCD 20,000 PSI Choke



Technical specifications	
Standard configuration	Reversible, balanced, erosion-resistant trim
Pressure rating available	API 20,000 psi
Inlet sizes	1 ¹³ / ₁₆ " , 2 ⁹ / ₁₆ "
Outlet size	3 ¹ / ₁₆ "
Trim sizes available	1 ¹ / ₂ " , 2"
Testing	API 6A, API 16C
Body material	API 75K, Impact Tested IAW NACE MR0175 / ISO 15156
Throttling trim material	Tungsten Carbide
Seat material	Tungsten Carbide
Seat leakage	Drop Tight
API temperature ranges	
Standard	-20°F to +250°F (-29°C to +121°C)
Optional	-75°F to +350°F (-60°C to +177°C)
API 6A PSL	1 - 3, 3G
API 6A PR	1 - 2
Standard X & Y	6.470" x 13"

*(Custom sizes available, see SCT model for compact studded inlet)
API spools and adapters provided as required.*

General design specifications	
Maximum open for controllability	85%
Minimum open for controllability	2%
Maximum exit velocity	1.0 Mach
Downstream velocity (Gas)	0.3 Mach
Max. downstream velocity (Liquid)	100 - 200 ft/sec
Hydraulic operating pressure	1,800 - 2,000 psig
Shut Off	Drop Tight (Exceeds ANSI Class V)
Throttling pressure drop	Full-Rated Pressure