

# Meters

## Multiwell TPS Processing Module (MTPM) For Multiphase Flows

The Multiwell TPS Processing Module (MTPM) is a field-deployable platform providing gas, oil/condensate and water rates for one to eight wells, based on sonar flow meter, line pressure and line temperature measurements, combined with customer-supplied compositional/PVT and watercut/WGR information.

The MTPM interfaces to the Expro ActiveSONAR™ and Expro PassiveSONAR™ flow meters, and acquires pressure and temperature readings via Modbus or 4-20mA inputs.

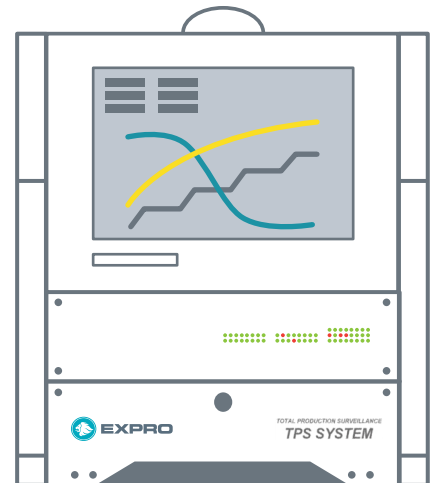
In addition, all measured values and calculated results are logged to the internal solid state disk and can be retrieved using a USB flash drive.

### Applications

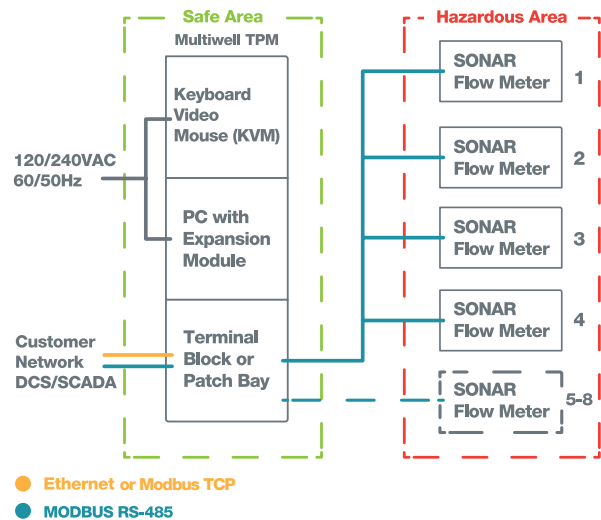
- Production surveillance
- Production optimisation
- Suitable for: wet gas; gas condensate wells; black oil wells and gas wells

### Features and Benefits

- Real-time reporting of up to eight wells
- Interfaces with ActiveSONAR or PassiveSONAR flow meters
- Industry standard communications protocols



### Typical System Configuration



# Meters

## Multiwell TPS Processing Module (MTPM) For Multiphase Flows

Technical specifications		
Parameter	Specifications	Comments
Number of wells/meters	One to eight wells/meters	
Customer interface	Modbus Ethernet TCP / Modbus RS-485 serial	MTPM can be Modbus master or slave
Pressure/temperature inputs	Up to eight pressure / eight temperature supplied via customer interface	
Multiphase processing computer	Intel i7-2610UE processor, 4GB SDRAM, 128GB SSD, fanless	
Display	19" colour TFT LCD, 1366x768	
Keyboard	Standard layout with touchpad	
Operating system	Windows 7, embedded	
Supported software	TPS1800 Multiphase Processing Software	
Operating temperature	0°C to +40°C (32°F to 104°F)	
Storage temperature	-15°C to +60°C (5°F to 140°F)	
Humidity	0% to 80% RH, non-condensing	
Power requirements	100-240VAC, 60/50Hz 60 watts max	
Dimensions (H x W x D)		
	Computer	90 mm x 440 mm x 315 mm (3.54" x 17.32" x 12.40")
	Keyboard/display	43.18mm x 482.6mm x 711.2mm (1.7" x 19.0" x 28.0")
	Wiring panel	133.4mm x 481.8mm x 252.1mm (5.25" x 19.0" x 9.9")
Mounting		19" rack mount, 6U total height minimum, 30" depth
Weight		61.1 lbs (27.7 kg)
Certifications (safety, EMC)		CE, US, Canada
Modbus RS-485 serial ports		
	RS-485 port type	2-wire, half-duplex
	Modbus type	Master or slave
	Max baud rate	921.6kbps
	Format	RTU (default) or ASCII
	Connector	Pluggable screw terminal block
Modbus TCP Ethernet ports		
	Port type	TCP (10/100 Ethernet)
	Modbus type	Master or slave
	Format	RTU
	Connector	RJ45

Note: Other sizes and configurations are available to meet most applications, for more information contact your local Expro representative or email [meters@exprogroup.com](mailto:meters@exprogroup.com)